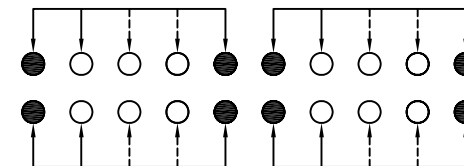
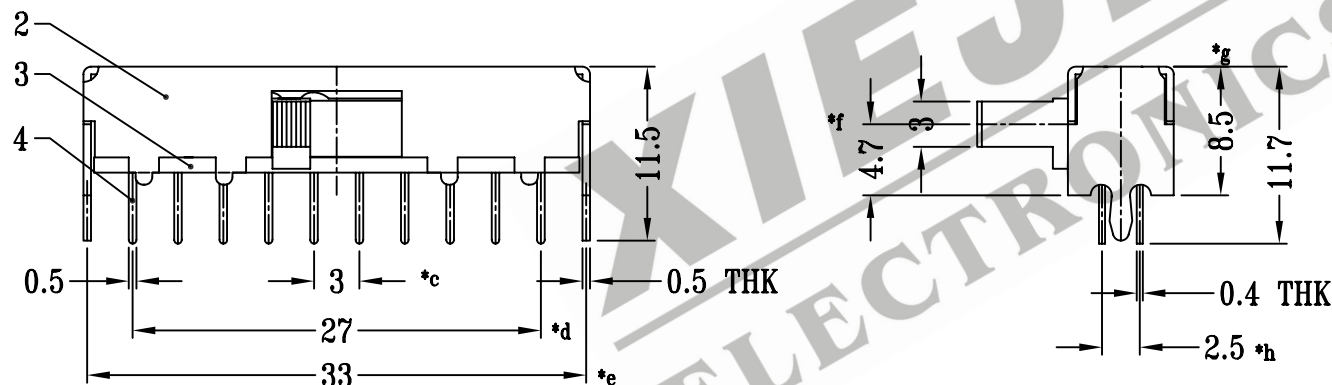
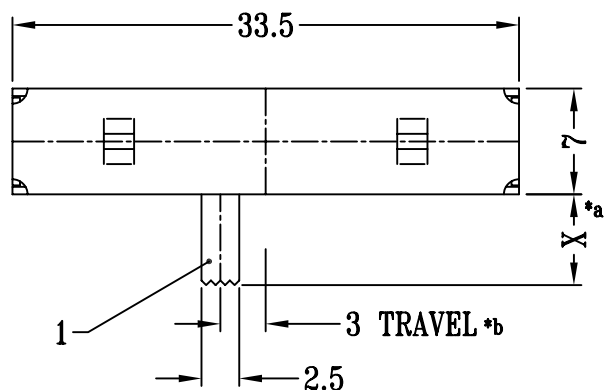
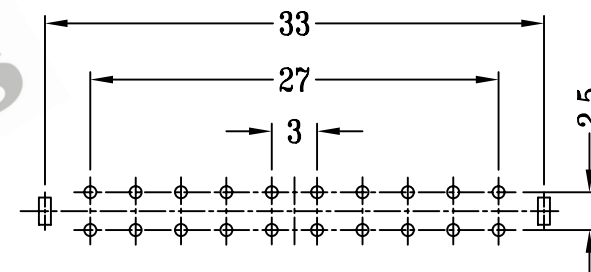


CAD FILE:



SCHEMATIC(NON-SHORTING)



P.C.B LAYOUT

注:带*表示关键尺寸(8个)

NO.	PARTS	MATERIALS	Q'TY	FINISH	TOLERANCE UNLESS SPECIFIED	SHENZHEN XIEJIA ELECTRONICS CO.,LTD.				
8										
7										
6	SPRING PLATE	STAINLESS STEEL	1	NATURAL	WITHIN: 1.5 ±0.1mm	ISSUE	DATE	DESCRIPTIONS OF REVISION		APPD.
5	CONTACT (CLIP)	PBS	4	Ag CLAD	OVER: 1.5 ±0.2mm					
4	TERMINAL	BRASS STRIP	20	Ag PLATED OVER Ni PLATED	TITLE : HORIZONTAL L SLIDE SWITCH		UNIT : mm	DRWG NO.: XJ-DR-SK43F01-00		
3	TERMINAL BASE	PHENOLIC RESIN	1	NATURAL	MODEL: SK-43F01		SCALE: 2:1	DWN.	ZHOUYU	2007-6-23
2	FRAME	STEEL STRIP	1	Sn PLATED	ALL MATERIALS MUST BE COMPLIANT TO ROHS			CHK'D	FANGYING	2007-6-23
1	KNOB	POM	1	BLACK				APPD.	KANGXINAN	2007-6-23